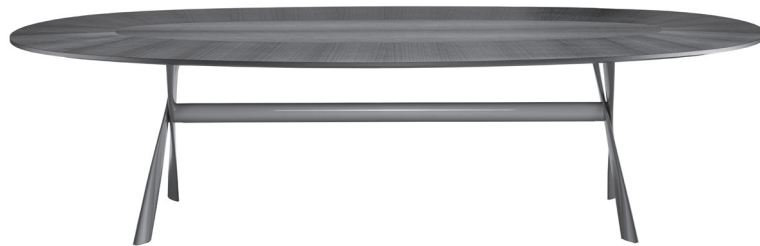


# Molteni & C

## **GATWICK —** RODOLFO DORDONI 2019

1—  
3



This table takes the name of London's Gatwick airport, one of the busiest in the world. It is the particular structure of twisted and criss-cross steel recalling an airplane propeller or a helicopter blade that inspired the name. The aluminium frame in several contemporary finishes, supports elegant rectangular or oval tops of different sizes.

**DATASHEET**

REGISTERED  
DESIGN

IX.2022

**moltenigroup.com**

Dimensions in centimeters and inches. The right to discontinue and make changes is reserved. This information is based on the latest product information available at the time of printing.

## FINISHES

### STRUCTURE FINISHES

iris (satin finish)  
pewter colour (satin finish)  
black nickel

### MARBLE TOP FINISHES

orient grey  
Sahara noir  
calacatta gold

### INLAID WOOD

TOP FINISH  
eucalyptus

# Molteni & C

## TECHNICAL INFORMATION

### WOOD TOP

Shaped MDF panel covered with wood veneer in eucalyptus (Eucalyptus Globulus).

### MARBLE TOP

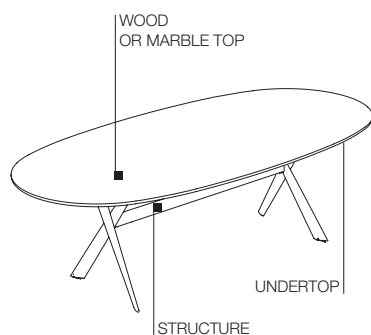
Marble in the range of finishes specific for the product.

### STRUCTURE

In extruded aluminium, bent to form the leg, painted in a range of finishes specific for the product. Joint connects the leg with the aluminium crosspiece. Fixing bracket between structure and table top in metal with painted epoxy finish. Plastic feet with felt pads.

### UNDERTOP

Chipboard panel covered with melamine facing.



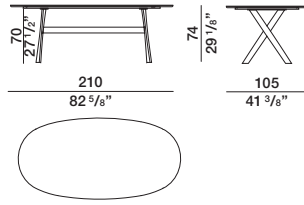
## DATASHEET

REGISTERED  
DESIGN

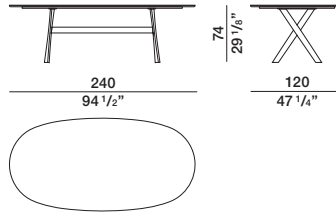
IX.2022

**DIMENSIONS**

**oval tables**

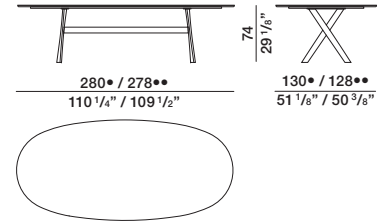


pewter colour/ black nickel  
 iris structure structure  
**GT021/10**



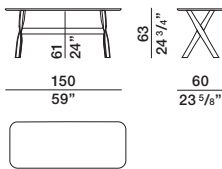
pewter colour/ black nickel  
 iris structure structure  
**GT024/12**

marble top •  
 inlaid wood top ••



pewter colour/ black nickel  
 iris structure structure  
**GT028/13**

**console**



pewter colour/ black nickel  
 iris structure structure  
**GTC15/60**